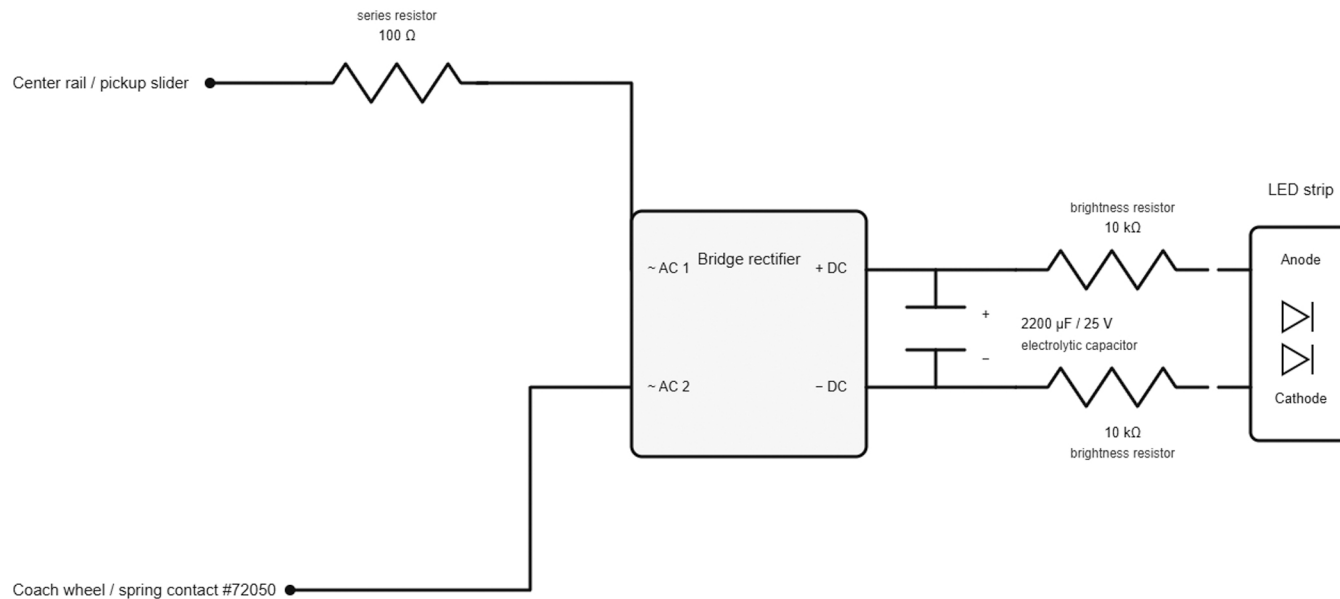


Flicker-Free Interior Lighting for Passenger Coach



The electrolytic capacitor connects between bridge rectifier + and - outputs. Observe polarity.
The two 10 k Ω resistors reduce brightness. Lower value = brighter light; higher value = dimmer light.



Solder the bridge rectifier to the capacitor like this.

COMPONENT LIST:

- 12VDC, LED strip 10meters, 2700K warm white. Supplier: Wish \$2.50/roll
- Spring contact set. Märklin item 72050 (5-pack).
- Conductive Couplings (20-pack) Märklin E115737:20
- Slider (for 3rd rail) snap-in with centered hole: E414940.

- Electrolytic Capasitor: 220uF / 25VDC. Max diam 10mm.
- Resistors 10k0hm , 1/8Watt and 100 ohm, 1/8Watt
- Bridge Rectifier 2Amp SMD (Surface Mounting Device) type.
- Cables AWG 36, Outside diameter: 0.5mm. Isolation material: PTFE (Teflon).